

# SPECTEC

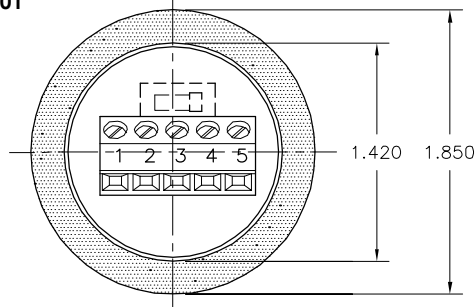
THUNDERBIRD INTERNATIONAL CORPORATION  
 P.O. BOX 360, EMIGRANT, MT 59027, USA  
 (406) 333-4967 FAX: (406) 333-4259  
 www.spectecsensors.com

## 4001 JUNCTION BOXES & ADAPTERS EXPLOSION PROOF FOR PREAMPS

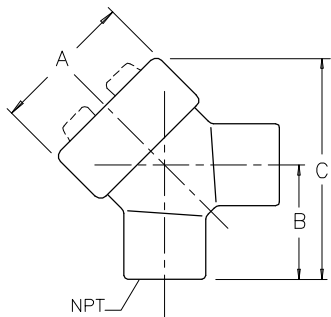
### PRODUCT DESCRIPTION

SPECTEC's puck type preamps are designed to fit compact "ELBY" and "Y" type explosion proof junction boxes. When a larger enclosure is required our preamps will need an adapter plate or ring to fit securely in a "Y-3", "ELBY-100" or "GUAL-16" enclosure, (see table below).

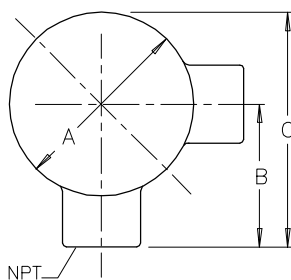
ADAPTER RING FOR 4022 OR 4029 IN ELBY 1" 40015-01



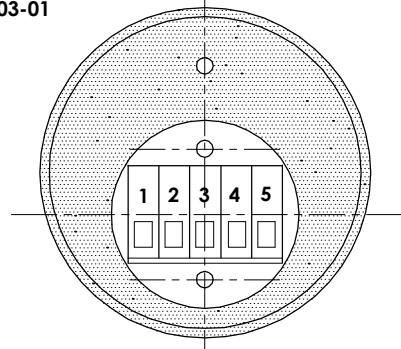
Y or ELBY



GUAL-16

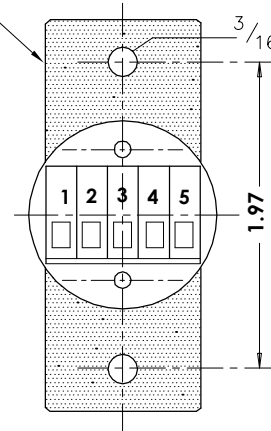


ADAPTER PLATE FOR 4023 IN Y-3 J-BOX 40003-01



EXPLOSION PROOF JUNCTION BOXES, Y, ELBY & GUAL-16 SERIES  
 CL I GR C,D, CL II GR E,G,F, CL III CSA & UL CERTIFIED

ADAPTER PLATE FOR 4023 IN GUAL-16 J-BOX 40005-01



JUNCTION BOXES						Direct Fit: Adapter Not Required Preamp #	PUCK ADAPTER KITS	
MODEL	SPECTEC P/N	NPT	A	B	C		4022 4027	4028 4029
Y-1	90010-01	1/2-14	1.875	1.625	2.875	4013 4023		
Y-2	-02	3/4-14	2.10	1.55	2.875	4022 4028 4027 4029		
Y-3	-03	1-11	2.612	2.122	3.721	4016 4026	40015-01	40003-01
GUAL-16	90010-10	1/2-14	3.50	2.53	4.28			40005-01
ELBY 50	90012-01	1/2-14	1.95	1.50	2.68	4022 4028 4027 4029		
ELBY 75	-02	3/4-14	1.95	1.50	2.68	4022 4028 4027 4029		
ELBY 100	-03	1-11	2.40	1.80	3.12	4016	40015-01	

REDUCING NIPPLES To Connect Pickup (1/2-NPT) to Junction Box

CODE	SPECTEC P/N	
R1	90011-01	3/4-14 to 1/2-14 NPT
R2	90011-02	1-11 to 1/2-14 NPT
R3	90011-03	1-11 to 3/4-14 NPT